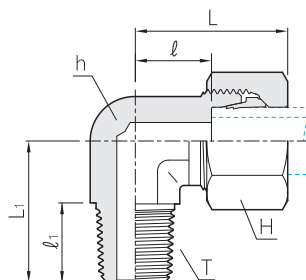


Male Elbow (BSP Tapered / Metric Tapered)

DLM-R/M



Form C stud end

for BSP Tapered

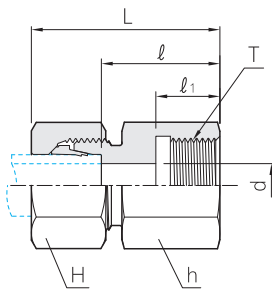
Series	Part No.	Tube O.D.	H	h	L	L ₁	ℓ	ℓ ₁	T R(PT)	PN(bar)		
										C.Steel	SS316	BRASS
LL	DLM 04LL - 01R	4	10	9	21	17	11.0	10	1/8	100	100	63
	DLM 06LL - 01R	6	12	9	21	17	9.5	10	1/8	100	100	63
	DLM 08LL - 01R	8	14	12	23	20	11.5	10	1/8	100	100	63
	DLM 10LL - 02R	10	17	14	24	23	12.5	14	1/4	100		
	DLM 12LL - 02R	12	19	17	25	23	13.0	14	1/4	100		
L	DLM 06L - 01R	6	14	12	27	20	12.0	10	1/8	315	315	200
	DLM 08L - 02R	8	17	12	29	26	14.0	14	1/4	315	315	200
	DLM 10L - 02R	10	19	14	30	27	15.0	14	1/4	315	315	200
	DLM 12L - 03R	12	22	17	32	28	17.0	15	3/8	315	315	200
	DLM 15L - 04R	15	27	19	36	34	21.0	19	1/2	315	315	200
	DLM 18L - 04R	18	32	24	40	36	23.5	19	1/2	315	315	200
S	DLM 06S - 02R	6	17	12	31	26	16.0	14	1/4	400	400	250
	DLM 08S - 02R	8	19	14	32	27	17.0	14	1/4	400	400	250
	DLM 10S - 03R	10	22	17	34	28	17.5	15	3/8	400	400	250
	DLM 12S - 03R	12	24	17	38	28	21.5	15	3/8	400	400	250
	DLM 14S - 04R	14	27	19	40	32	22.0	19	1/2	400	400	
	DLM 16S - 04R	16	30	24	43	32	24.5	19	1/2	400	400	250

for Metric Tapered

Series	Part No.	Tube O.D.	H	h	L	L ₁	ℓ	ℓ ₁	T Metric Taper	PN(bar)		
										C.Steel	SS316	BRASS
LL	DLM 04LL - M 8K	4	10	9	21	17	11.0	8	M 8 x 1	100	100	63
	DLM 06LL - M10K	6	12	9	21	17	9.5	8	M10 x 1	100	100	63
	DLM 08LL - M10K	8	14	12	23	20	11.5	8	M10 x 1	100	100	63
L	DLM 06L - M10K	6	14	12	27	20	12.0	8	M10 x 1	315	315	200
	DLM 08L - M12K	8	17	12	29	26	14.0	12	M12 x 1.5	315	315	200
	DLM 10L - M14K	10	19	14	30	27	15.0	12	M14 x 1.5	315	315	200
	DLM 12L - M16K	12	22	17	32	28	17.0	14	M16 x 1.5	315	315	200
	DLM 15L - M18K	15	27	19	36	34	21.0	14	M18 x 1.5	315	315	200
	DLM 18L - M22K	18	32	24	40	36	23.5	17	M22 x 1.5	315	315	200
S	DLM 06S - M12K	6	17	12	31	26	16.0	12	M12 x 1.5	400	400	250
	DLM 08S - M14K	8	19	14	32	27	17.0	12	M14 x 1.5	400	400	250
	DLM 10S - M16K	10	22	17	34	28	17.5	12	M16 x 1.5	400	400	250
	DLM 12S - M18K	12	24	17	38	28	21.5	12	M18 x 1.5	400	400	250
	DLM 14S - M20K	14	27	19	40	32	22.0	14	M20 x 1.5	400	400	
	DLM 16S - M22K	16	30	24	43	32	24.5	17	M22 x 1.5	400	400	250

Female Connector(BSP Paralled / Metric Paralled)

DFC-G/M



Form Y Tapped Hole

for BSP Paralled

Series	Part No.	Tube O.D.	d	H	h	L	ℓ	ℓ ₁	T G(PF)	PN(bar)		
										C.Steel	SS316	BRASS
L	DFC 06L - 01G	6	4	14	14	34	19.0	12.0	1/8	315	315	200
	DFC 08L - 02G	8	6	17	19	39	24.0	17.0	1/4	315	315	200
	DFC 08L - 03G	8	6	17	24	40	25.0	17.0	3/8	315	315	200
	DFC 08L - 04G	8	6	17	27	44	29.0	20.0	1/2	315	315	200
	DFC 10L - 02G	10	8	19	19	40	25.0	17.0	1/4	315	315	200
	DFC 10L - 03G	10	8	19	24	41	26.0	17.0	3/8	315	315	200
	DFC 10L - 04G	10	8	19	27	45	30.0	20.0	1/2	315	315	200
	DFC 12L - 03G	12	10	22	24	41	26.0	17.0	3/8	315	315	200
	DFC 12L - 04G	12	10	22	27	45	30.0	20.0	1/2	315	315	200
	DFC 15L - 04G	15	12	27	27	46	31.0	20.0	1/2	315	315	200
	DFC 18L - 04G	18	15	32	27	47	30.5	20.0	1/2	315	315	200
	DFC 22L - 06G	22	19	36	36	52	35.5	22.0	3/4	160	160	100
	DFC 28L - 08G	28	24	41	41	55	38.0	24.5	1	160	160	100
	DFC 35L - 10G	35	30	50	55	63	41.0	26.5	1 1/4	160	160	100
DFC 42L - 12G	42	36	60	60	65	42.5	28.5	1 1/2	160	160	100	
S	DFC 06S - 02G	6	4	17	19	41	26.0	17.0	1/4	400	400	
	DFC 08S - 02G	8	5	19	19	41	26.0	17.0	1/4	400	400	
	DFC 10S - 03G	10	7	22	24	43	26.5	17.0	3/8	400	400	
	DFC 12S - 03G	12	8	24	24	43	26.5	17.0	3/8	400	400	
	DFC 14S - 04G	14	10	27	30	50	32.0	20.0	1/2	400	400	
	DFC 16S - 04G	16	12	30	30	50	31.5	20.0	1/2	400	400	
	DFC 20S - 06G	20	16	36	36	56	34.5	22.0	3/4	315	315	
	DFC 25S - 08G	25	20	46	41	62	37.5	24.5	1	315	315	
	DFC 30S - 10G	30	25	50	55	69	42.0	26.5	1 1/4	315	315	
	DFC 38S - 12G	38	32	60	60	74	43.5	28.5	1 1/2	250	250	

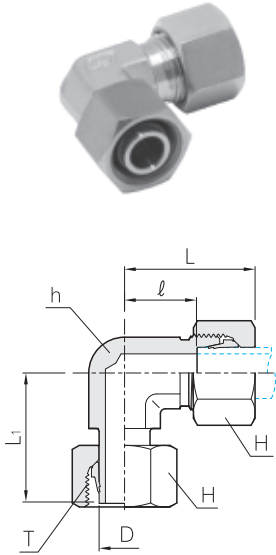
for Metric Paralled

Series	Part No.	Tube O.D.	d	H	h	L	ℓ	ℓ ₁	T M(Metric)	PN(bar)	
										C.Steel	SS316
L	DFC 06L - M10	6	4	14	14	34	19.5	12.5	M 10 x 1	315	315
	DFC 08L - M12	8	6	17	17	39	24.0	17.0	M 12 x 1.5	315	315
	DFC 10L - M14	10	8	19	19	40	25.0	17.0	M 14 x 1.5	315	315
	DFC 12L - M16	12	10	22	22	41	26.0	17.0	M 16 x 1.5	315	315
	DFC 15L - M18	15	12	27	24	43	28.0	17.0	M 18 x 1.5	315	315
	DFC 18L - M22	18	15	32	30	46	29.5	19.0	M 22 x 1.5	315	315
	DFC 22L - M26	22	19	36	32	51	34.5	21.0	M 26 x 1.5	160	160
	DFC 28L - M33	28	24	41	41	54	37.5	24.0	M 33 x 2	160	160
	DFC 35L - M42	35	30	50	55	62	40.5	26.0	M 42 x 2	160	160
	DFC 42L - M48	42	36	60	60	65	42.0	28.0	M 48 x 2	160	160
S	DFC 06S - M12	6	4	17	17	41	26.0	17.0	M 12 x 1.5	400	400
	DFC 08S - M14	8	5	19	19	41	26.0	17.0	M 14 x 1.5	400	400
	DFC 10S - M16	10	7	22	22	43	26.5	17.0	M 16 x 1.5	400	400
	DFC 12S - M18	12	8	24	24	44	27.5	17.0	M 18 x 1.5	400	400
	DFC 14S - M20	14	10	27	27	49	31.0	19.0	M 20 x 1.5	400	400
	DFC 16S - M22	16	12	30	30	49	30.5	19.0	M 22 x 1.5	400	400
	DFC 20S - M27	20	16	36	36	56	34.5	22.0	M 27 x 2	315	315
	DFC 25S - M33	25	20	46	41	61	37.0	24.0	M 33 x 2	315	315
	DFC 30S - M42	30	25	50	55	68	41.5	26.0	M 42 x 2	315	315
	DFC 38S - M48	38	32	60	60	74	43.0	28.0	M 48 x 2	250	250

Tube Fittings for DIN 2353 & ISO 8434 part1

Adjustable Elbow with Standpipe

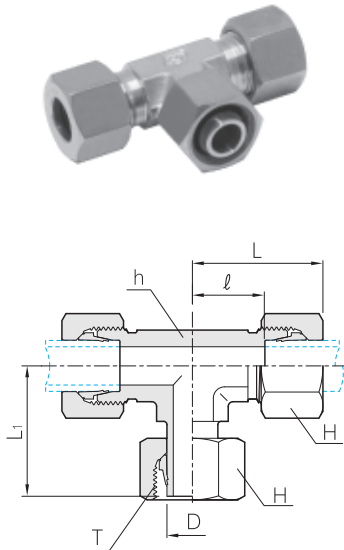
DLA



Series	Part No.	Tube O.D.	D	H ₁	h	L	L ₁	ℓ	T	PN(bar)		
										C.Steel	SS316	BRASS
L	DLA - 06L	6	6	14	12	27	26.0	12.0	M 12 x 1.5	315	315	200
	DLA - 08L	8	8	17	12	29	27.5	14.0	M 14 x 1.5	315	315	200
	DLA - 10L	10	10	19	14	30	29.0	15.0	M 16 x 1.5	315	315	200
	DLA - 12L	12	12	22	17	32	29.5	17.0	M 18 x 1.5	315	315	200
	DLA - 15L	15	15	27	19	36	32.5	21.0	M 22 x 1.5	315	315	200
	DLA - 18L	18	18	32	24	40	35.5	23.5	M 26 x 1.5	315	315	200
	DLA - 22L	22	22	36	27	44	38.5	27.5	M 30 x 2	160	160	100
	DLA - 28L	28	28	41	36	47	41.5	30.5	M 36 x 2	160	160	100
	DLA - 35L	35	35	50	41	56	51.0	34.5	M 45 x 2	160	160	100
	DLA - 42L	42	42	60	50	63	56.0	40.0	M 52 x 2	160	160	100
S	DLA - 06S	6	6	17	12	31	27.0	16.0	M 14 x 1.5	630	630	400
	DLA - 08S	8	8	19	14	32	27.5	17.0	M 16 x 1.5	630	630	400
	DLA - 10S	10	10	22	17	34	30.0	17.5	M 18 x 1.5	630	630	400
	DLA - 12S	12	12	24	17	38	31.0	21.5	M 20 x 1.5	630	630	400
	DLA - 14S	14	14	27	19	40	35.0	22.0	M 22 x 1.5	400	400	250
	DLA - 16S	16	16	30	24	43	36.5	24.5	M 24 x 1.5	400	400	250
	DLA - 20S	20	20	36	27	48	44.5	26.5	M 30 x 2	400	400	250
	DLA - 25S	25	25	46	36	54	50.0	30.0	M 36 x 2	400	400	250
	DLA - 30S	30	30	50	41	62	55.0	35.5	M 42 x 2	400	400	250
	DLA - 38S	38	38	60	50	72	63.0	41.0	M 52 x 2	315	315	200

Adjustable Branch Tee with Standpipe

DBTA



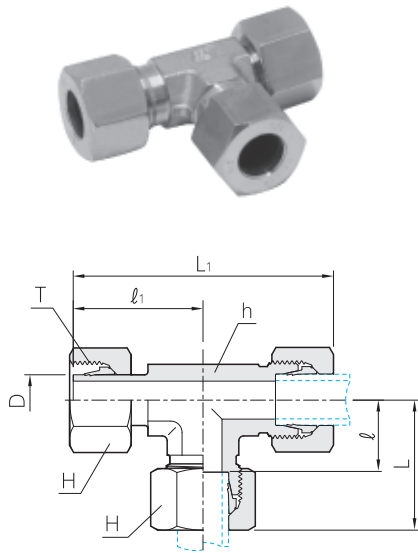
Series	Part No.	Tube O.D.	D	H ₁	h	L	L ₁	ℓ	T	PN(bar)		
										C.Steel	SS316	BRASS
L	DBTA - 06L	6	6	14	12	27	26.0	12.0	M 12 x 1.5	315	315	200
	DBTA - 08L	8	8	17	12	29	27.5	14.0	M 14 x 1.5	315	315	200
	DBTA - 10L	10	10	19	14	30	29.0	15.0	M 16 x 1.5	315	315	200
	DBTA - 12L	12	12	22	17	32	29.5	17.0	M 18 x 1.5	315	315	200
	DBTA - 15L	15	15	27	19	36	32.5	21.0	M 22 x 1.5	315	315	200
	DBTA - 18L	18	18	32	24	40	35.5	23.5	M 26 x 1.5	315	315	200
	DBTA - 22L	22	22	36	27	44	38.5	27.5	M 30 x 2	160	160	
	DBTA - 28L	28	28	41	36	47	41.5	30.5	M 36 x 2	160	160	
	DBTA - 35L	35	35	50	41	56	51.0	34.5	M 45 x 2	160	160	
	DBTA - 42L	42	42	60	50	63	56.0	40.0	M 52 x 2	160	160	
S	DBTA - 06S	6	6	17	12	31	27.0	16.0	M 14 x 1.5	630	630	
	DBTA - 08S	8	8	19	14	32	27.5	17.0	M 16 x 1.5	630	630	
	DBTA - 10S	10	10	22	17	34	30.0	17.5	M 18 x 1.5	630	630	
	DBTA - 12S	12	12	24	17	38	31.0	21.5	M 20 x 1.5	630	630	
	DBTA - 14S	14	14	27	19	40	35.0	22.0	M 22 x 1.5	400	400	
	DBTA - 16S	16	16	30	24	43	36.5	24.5	M 24 x 1.5	400	400	
	DBTA - 20S	20	20	36	27	48	44.5	26.5	M 30 x 2	400	400	
	DBTA - 25S	25	25	46	36	54	50.0	30.0	M 36 x 2	400	400	
	DBTA - 30S	30	30	50	41	62	55.0	35.5	M 42 x 2	400	400	
	DBTA - 38S	38	38	60	50	72	63.0	41.0	M 52 x 2	315	315	

Dimensions are given for approximate length with tightened nut. All dimensions are in millimeters for reference only, subject to change.
 Pre-set nut and cutting ring for connection are provided without male stud.
 Please refer to final assembly instructions on page 67.

Tube To Tube Port (Adjustable Fittings)

Adjustable Run Tee with Standpipe

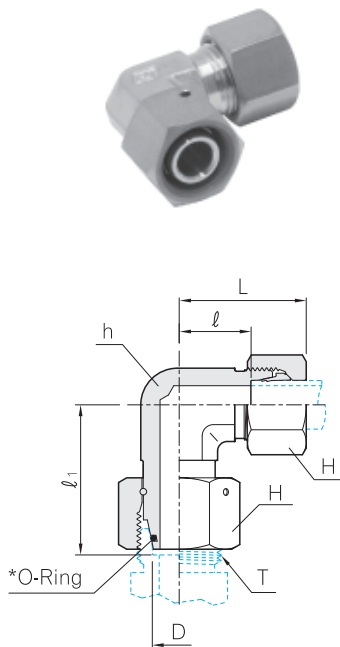
DRTA



Series	Part No.	Tube O.D.	D	h	H	L	L ₁	l	l ₁	T	PN(bar)		
											C.Steel	SS316	BRASS
L	DRTA - 06L	6	6	12	14	27	53	12.0	26.0	M 12 x 1.5	315	315	200
	DRTA - 08L	8	8	12	17	29	56	14.0	27.5	M 14 x 1.5	315	315	200
	DRTA - 10L	10	10	14	19	30	59	15.0	29.0	M 16 x 1.5	315	315	200
	DRTA - 12L	12	12	17	22	32	62	17.0	29.5	M 18 x 1.5	315	315	200
	DRTA - 15L	15	15	19	27	36	69	21.0	32.5	M 22 x 1.5	315	315	200
	DRTA - 18L	18	18	24	32	40	75	23.5	35.5	M 26 x 1.5	315	315	200
	DRTA - 22L	22	22	27	36	44	83	27.5	38.5	M 30 x 2	160	160	
	DRTA - 28L	28	28	36	41	47	91	30.5	41.5	M 36 x 2	160	160	
	DRTA - 35L	35	35	41	50	56	111	34.5	51.0	M 45 x 2	160	160	
	DRTA - 42L	42	42	50	60	63	123	40.0	56.0	M 52 x 2	160	160	
S	DRTA - 06S	6	6	12	17	31	58	16.0	27.0	M 14 x 1.5	630	630	
	DRTA - 08S	8	8	14	19	32	61	17.0	27.5	M 16 x 1.5	630	630	
	DRTA - 10S	10	10	17	22	34	66	17.5	30.0	M 18 x 1.5	630	630	
	DRTA - 12S	12	12	17	24	38	71	21.5	31.0	M 20 x 1.5	630	630	
	DRTA - 14S	14	14	19	27	40	75	22.0	35.0	M 22 x 1.5	400	400	
	DRTA - 16S	16	16	24	30	43	79	24.5	36.5	M 24 x 1.5	400	400	
	DRTA - 20S	20	20	27	36	48	93	26.5	44.5	M 30 x 2	400	400	
	DRTA - 25S	25	25	36	46	54	105	30.0	50.0	M 36 x 2	400	400	
	DRTA - 30S	30	30	41	50	62	119	35.5	55.0	M 42 x 2	400	400	
	DRTA - 38S	38	38	50	60	72	138	41.0	63.0	M 52 x 2	315	315	

Swivel Adjustable Elbow with Cone

DEW



Series	Part No.	Tube O.D. D	H	h	L	l	l ₁	T	PN(bar)	
									C.Steel	SS316
L	DEW - 06L	6	14	12	27	12.0	26.0	M 12 x 1.5	500	315
	DEW - 08L	8	17	12	29	14.0	27.5	M 14 x 1.5	500	315
	DEW - 10L	10	19	14	30	15.0	29.0	M 16 x 1.5	500	315
	DEW - 12L	12	22	17	32	17.0	29.5	M 18 x 1.5	400	315
	DEW - 15L	15	27	19	36	21.0	32.5	M 22 x 1.5	400	315
	DEW - 18L	18	32	24	40	23.5	35.5	M 26 x 1.5	400	315
	DEW - 22L	22	36	27	44	27.5	38.5	M 30 x 2	250	160
	DEW - 28L	28	41	36	47	30.5	41.5	M 36 x 2	250	160
	DEW - 35L	35	50	41	56	34.5	51.0	M 45 x 2	250	160
	DEW - 42L	42	60	50	63	40.0	56.0	M 52 x 2	250	160
S	DEW - 06S	6	17	12	31	16.0	27.0	M 14 x 1.5	800	630
	DEW - 08S	8	19	14	32	17.0	27.5	M 16 x 1.5	800	630
	DEW - 10S	10	22	17	34	17.5	30.0	M 18 x 1.5	800	630
	DEW - 12S	12	24	17	38	21.5	31.0	M 20 x 1.5	630	630
	DEW - 14S	14	27	19	40	22.0	35.0	M 22 x 1.5	630	630
	DEW - 16S	16	30	24	43	24.5	36.5	M 24 x 1.5	630	400
	DEW - 20S	20	36	27	48	26.5	44.5	M 30 x 2	420	400
	DEW - 25S	25	36	36	54	30.0	50.0	M 36 x 2	420	400
	DEW - 30S	30	50	41	62	35.5	55.0	M 42 x 2	420	400
	DEW - 38S	38	60	50	72	41.0	63.0	M 52 x 2	420	315

Dimensions are given for approximate length with tightened nut. All dimensions are in millimeters for reference only, subject to change.

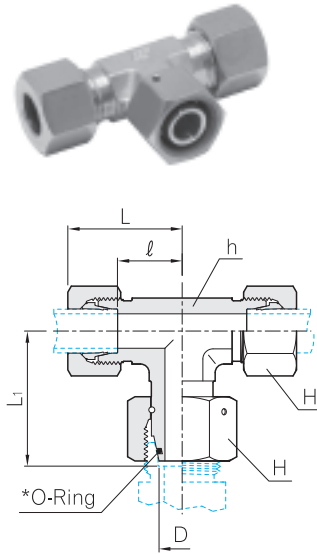
O-Ring for connection is provided without male stud.

Please refer to final assembly instructions on page 67.

* The standard O-Ring material is NBR(e.g. Perbunan®) however FPM(e.g. Viton®) is also available on request (See Page 3).

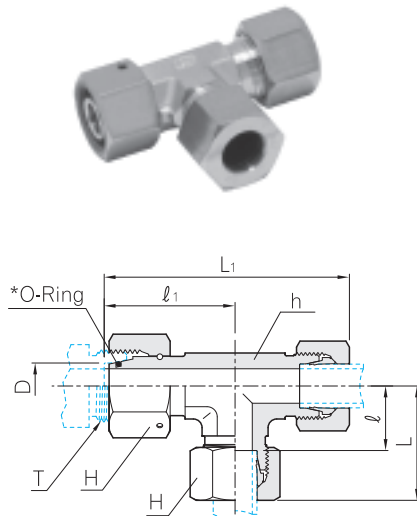
Tube Fittings for DIN 2353 & ISO 8434 part1

Swivel Adjustable Branch Tee with Cone DET



Series	Part No.	Tube O.D. D	H	h	L	L ₁	ℓ	T	PN(bar)	
									C.Steel	SS316
L	DET - 06L	6	14	12	27	26.0	12.0	M 12 x 1.5	500	315
	DET - 08L	8	17	12	29	27.5	14.0	M 14 x 1.5	500	315
	DET - 10L	10	19	14	30	29.0	15.0	M 16 x 1.5	500	315
	DET - 12L	12	22	17	32	29.5	17.0	M 18 x 1.5	400	315
	DET - 15L	15	27	19	36	32.5	21.0	M 22 x 1.5	400	315
	DET - 18L	18	32	24	40	35.5	23.5	M 26 x 1.5	400	315
	DET - 22L	22	36	27	44	38.5	27.5	M 30 x 2	250	160
	DET - 28L	28	41	36	47	41.5	30.5	M 36 x 2	250	160
	DET - 35L	35	50	41	56	51.0	34.5	M 45 x 2	250	160
DET - 42L	42	60	50	63	56.0	40.0	M 52 x 2	250	160	
S	DET - 06S	6	17	12	31	27.0	16.0	M 14 x 1.5	800	630
	DET - 08S	8	19	14	32	27.5	17.0	M 16 x 1.5	800	630
	DET - 10S	10	22	17	34	30.0	17.5	M 18 x 1.5	800	630
	DET - 12S	12	24	17	38	31.0	21.5	M 20 x 1.5	630	630
	DET - 14S	14	27	19	40	35.0	22.0	M 22 x 1.5	630	630
	DET - 16S	16	30	24	43	36.5	24.5	M 24 x 1.5	630	400
	DET - 20S	20	36	27	48	44.5	26.5	M 30 x 2	420	400
	DET - 25S	25	46	36	54	50.0	30.0	M 36 x 2	420	400
	DET - 30S	30	50	41	62	55.0	35.5	M 42 x 2	420	400
DET - 38S	38	60	50	72	63.0	41.0	M 52 x 2	420	315	

Swivel Adjustable Run Tee with Cone DEL



Series	Part No.	Tube O.D. D	H	h	L	L ₁	ℓ	ℓ ₁	T	PN(bar)	
										C.Steel	SS316
L	DEL - 06L	6	14	12	27	53	12.0	26.0	M 12 x 1.5	500	315
	DEL - 08L	8	17	12	29	56	14.0	27.5	M 14 x 1.5	500	315
	DEL - 10L	10	19	14	30	59	15.0	29.0	M 16 x 1.5	500	315
	DEL - 12L	12	22	17	32	61	17.0	29.5	M 18 x 1.5	400	315
	DEL - 15L	15	27	19	36	69	21.0	32.5	M 22 x 1.5	400	315
	DEL - 18L	18	32	24	40	75	23.5	35.5	M 26 x 1.5	400	315
	DEL - 22L	22	36	27	44	82	27.5	38.5	M 30 x 2	250	160
	DEL - 28L	28	41	36	47	89	30.5	41.5	M 36 x 2	250	160
	DEL - 35L	35	50	41	56	107	34.5	51.0	M 45 x 2	250	160
DEL - 42L	42	60	50	63	119	40.0	56.0	M 52 x 2	250	160	
S	DEL - 06S	6	17	12	31	58	16.0	27.0	M 14 x 1.5	800	630
	DEL - 08S	8	19	14	32	59	17.0	27.5	M 16 x 1.5	800	630
	DEL - 10S	10	22	17	34	64	17.5	30.0	M 18 x 1.5	800	630
	DEL - 12S	12	24	17	38	69	21.5	31.0	M 20 x 1.5	630	630
	DEL - 14S	14	27	19	40	75	22.0	35.0	M 22 x 1.5	630	630
	DEL - 16S	16	30	24	43	79	24.5	36.5	M 24 x 1.5	630	400
	DEL - 20S	20	36	27	48	93	26.5	44.5	M 30 x 2	420	400
	DEL - 25S	25	46	36	54	104	30.0	50.0	M 36 x 2	420	400
	DEL - 30S	30	50	41	62	117	35.5	55.0	M 42 x 2	420	400
DEL - 38S	38	60	50	72	135	41.0	63.0	M 52 x 2	420	315	

ADD.Plot No.25/33 Amritvarsha Comm.Premises Soc.Ltd.,Ardeshir
Dadi Street, Near Alankar Cinema Mumbai-400004

Dimensions are given for approximate length with tightened nut. All dimensions are in millimeters for reference only, subject to change.
Pre-set nut and cutting ring for connection are provided without male stud.
Please refer to final assembly instructions on page 67.

Email.: sales@armkopipefittings.com